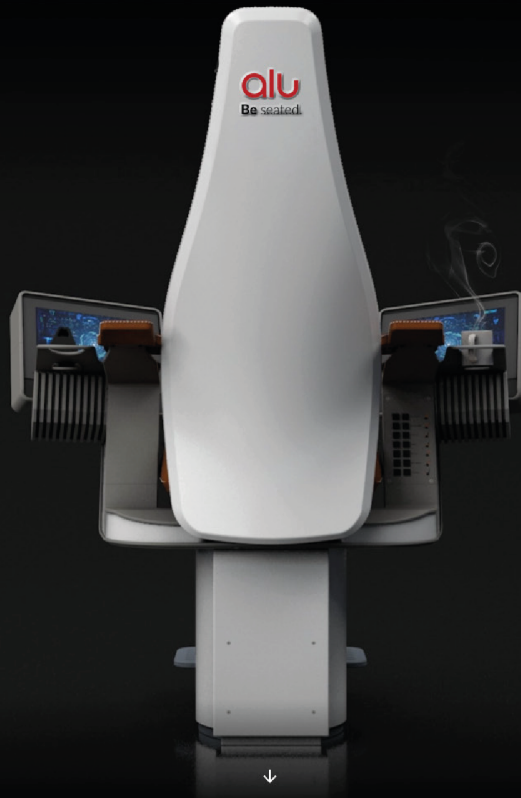




# PRODUCT GUIDE



Built to perform, built to last



**alu**  
Be seated.

## About us

We deliver captain and operator seats to ships worldwide and we are very pleased that so many companies have recognized the usability, quality and value of our products. No matter whether you call it a pilot chair, helm chair, navigator chair or operator seat, we have the chair for your vessel!

The best seating experience available! This is our promise to our customers.

## CHAIRS

- 6 - 7 GENERAL OVERVIEW OF CHAIRS
- 8 - 9 ALUTECH SERIES
- 10 - 11 OVERVIEW BACKREST & ARMREST, SPECIFICATIONS
- 12 - 13 ALUTECH 200
- 14 - 15 OP 10/11/12
- 16 - 17 OP 01
- 18 - 19 OPL
- 20 - 21 OP
- 22 - 23 S 12
- 24 - 25 3000 FC



alu  
Be seated.

## DECK RAILS

- 26 - 27 SURFACE MOUNT DECK RAILS
- 28 - 29 FLUSH MOUNT DECK RAILS
- 30 - 31 SURFACE MOUNT DECK RAILS
- 32 - 33 FLUSH MOUNT DECK RAILS
- 34 - 35 SURFACE MOUNT ELECTRICAL
- 36 - 39 FLUSH MOUNT ELECTRICAL
- 40 - 43 **ACCESSORIES & BESPOKE SOLUTION**
- 44 - 47 **MISCELLANEOUS INFORMATION**

alu  
Be seated.

ALUTECH 200



ALUTECH



OP 12



OP 01



3000 FC



OPL



OP



S 12



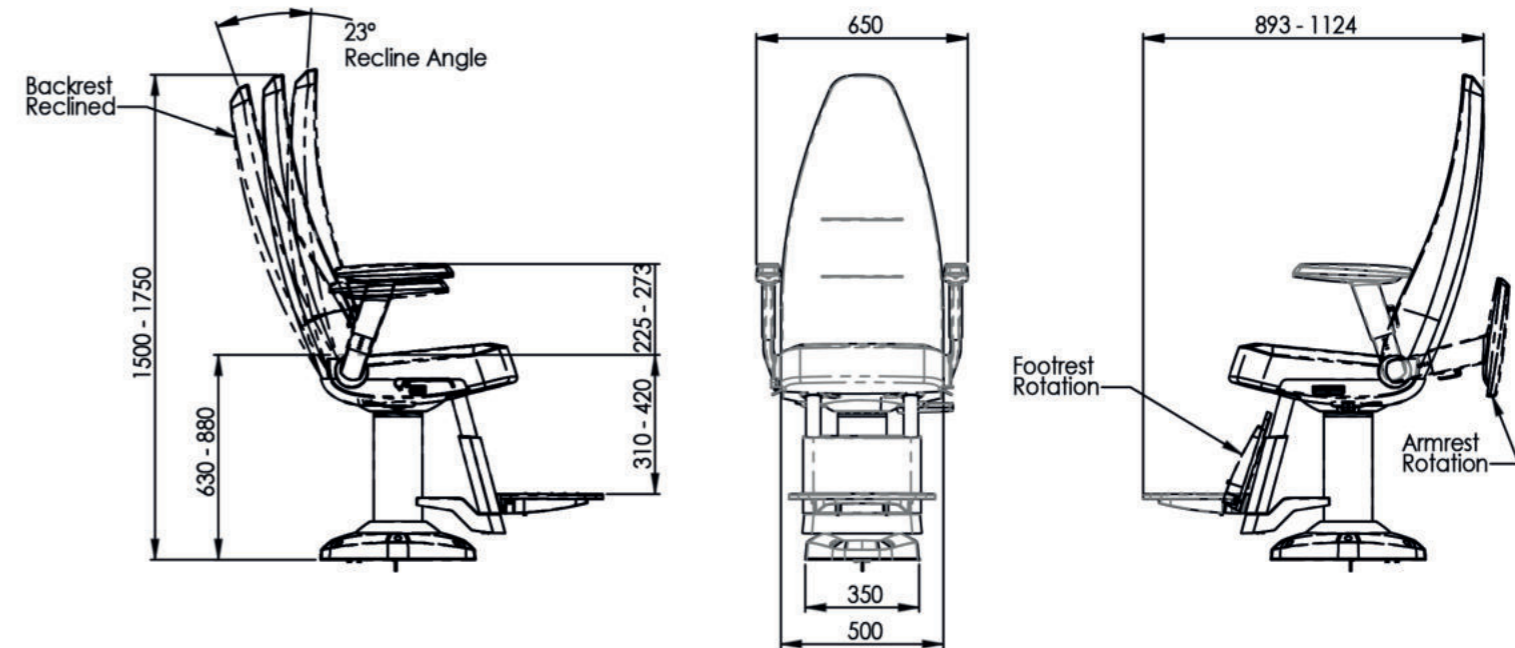
## ALUTECH SERIES

### DESIGN AND FEATURES

- Reclining backrest
  - Adjustable lumbar support
  - Height adjustable or fixed armrests
  - Flip back armrests
  - Optional armrest attachments for control equipment and cup holders etc.
  - Cable routing is possible through the chair and center column
  - Pneumatic height adjustment
  - Shock absorbing column
  - Optional electric height adjustment
  - Pneumatic height adjustment of footrest
  - Fold up footrest
  - Chair rotation
  - Footrest rotates with chair and is supported by the column for stability
- HSC 2000 - Annex 10 approved



## ALUTECH SERIES



## BACKREST OPTIONS



**ALUTECH**  
300/ 600/ 600-5



**ALUTECH**  
400/ 500



**OP**  
300/ 600/ 600-5



**S5**

## ARMREST OPTIONS



**ALUTECH**  
300/ 400/ OP 300



**ALUTECH**  
500/ 600-5/ OP 600-5



**ALUTECH**  
600/ OP 600



**OPL**

## SPECIFICATIONS

Article number	Sitting height	Max width	Chair width	Footrest	Office base (option)	Flatback (option)	HSC
320(420)	420-490 mm	650 mm	41(43) kg		x	Alutech 460	x
325(425)	550-750 mm	650 mm	47(49) kg	x	x	Alutech 465	x
330(430)	630-880 mm	650 mm	48(50) kg	x	x	Alutech 470	x
340(440)	730-980 mm	650 mm	49(51) kg	x	x	Alutech 480	x
350(450)	830-1030 mm	650 mm	50(52) kg	x	x	Alutech 490	x
620	420-490 mm	650 mm	41(43) kg		x		x
625	550-750 mm	650 mm	47(49) kg	x	x		x
630	630-880 mm	650 mm	48(50) kg	x	x		x
640	730-980 mm	650 mm	49(51) kg	x	x		x
650	830-1030 mm	650 mm	50(52) kg	x	x		x
620-5 (520)	420-490 mm	710 mm	43(43) kg		x	Alutech 560	x
625-5 (525)	550-750 mm	710 mm	49(49) kg	x	x	Alutech 565	x
630-5 (530)	630-880 mm	710 mm	50(50) kg	x	x	Alutech 570	x
640-5 (540)	730-980 mm	710 mm	52(52) kg	x	x	Alutech 580	x
650-5 (550)	830-1030 mm	710 mm	53(53) kg	x	x	Alutech 590	x

ALUTECH, S5, OP, 300/ 400/ 500 & 600

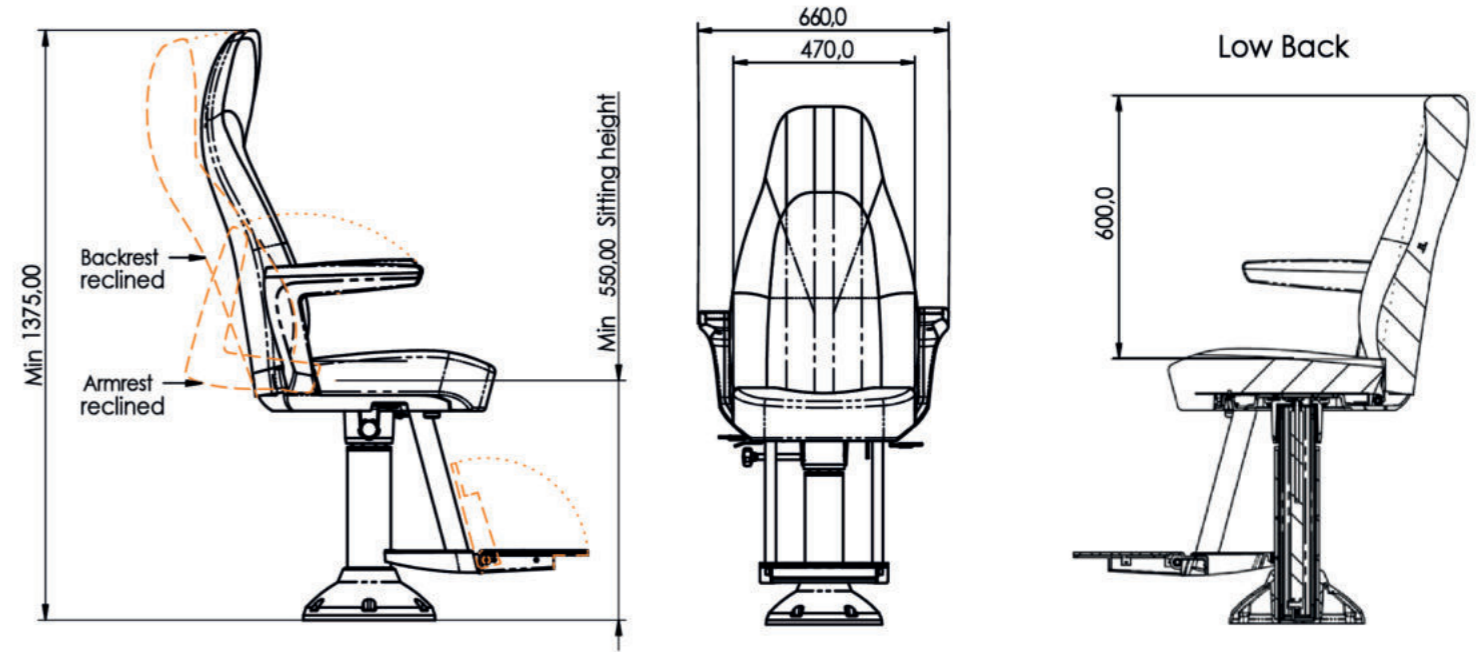
## ALUTECH 200

### DESIGN AND FEATURES

- Reclining backrest
  - Flip back armrests
  - Pneumatic height adjustment
  - Shock absorbing column
  - Fold up footrest
  - Chair rotation
  - Footrest rotates with chair and is supported by the column for stability
  - Available with high and low seat back
- HSC 2000 - Annex 10 approved



## ALUTECH 200



Seat	Sitting Height	Max width	Chair weight	Footrest	Office base (option)	Flatback	HSC
Alutech 220	400 - 500mm	660mm	25 kg		x	Alutech 265	x
Alutech 230	550 - 750mm	660mm	28 kg	x	x	Alutech 270	x
Alutech 240	650 - 850mm	660mm	29 kg	x	x	Alutech 280	x
Alutech 250	750 - 950mm	660mm	30 kg	x	x	Alutech 290	x
Alutech 260	850 - 1050mm	660mm	31 kg	x	x	Alutech 295	x

Available as fully reclined flatback

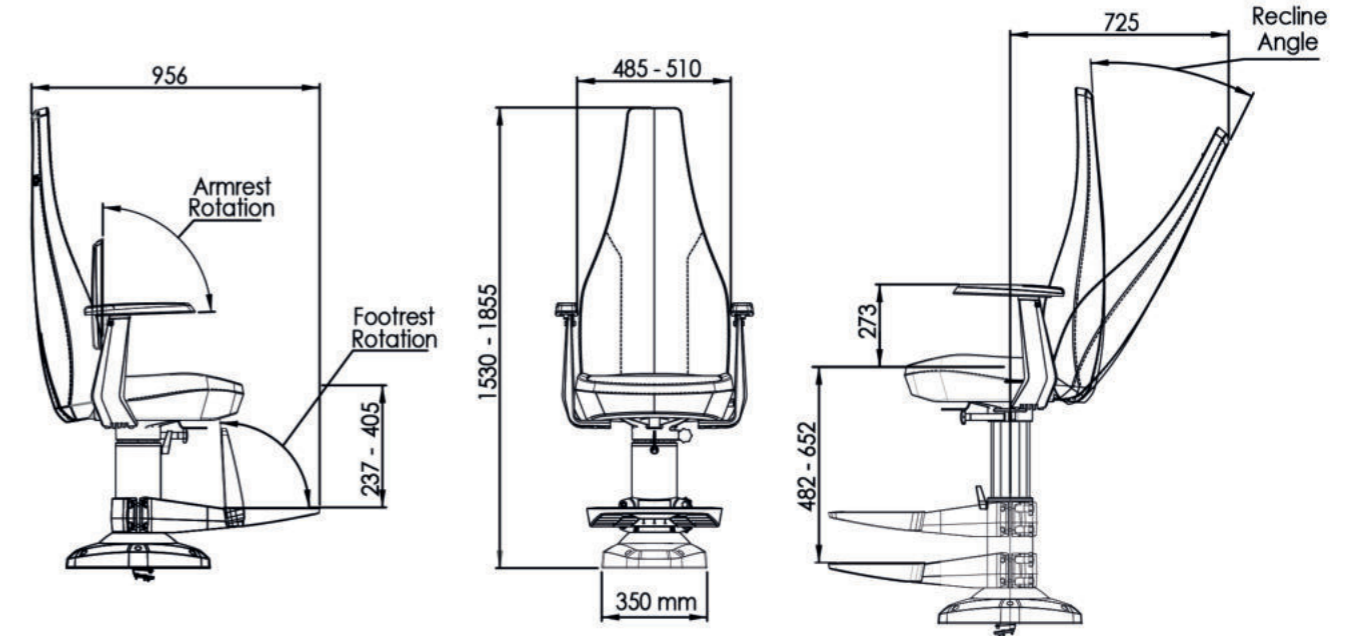
**OP 10/11/12**

**DESIGN AND FEATURES**

- Reclining backrest
  - Flip back armrest top
  - Pneumatic height adjustment
  - Shock absorbing column
  - Chair rotation
  - Single or twin footrest
  - Fold up footrest
  - Manually height adjusted footrest
  - Optional seat slide
- HSC 2000 - Annex 10 approved



**OP 10/11/12**



Pilot chair	Sitting Height	Max width	Chair weight	Footrest	Twin footrest	Seat slide	HSC
OP 10	420 - 490mm	650mm	43 kg			optional	x
OP 11	550 - 750mm	650mm	49 kg	x	x	optional	x
OP 12	630 - 880mm	650mm	50 kg	x	x	optional	x



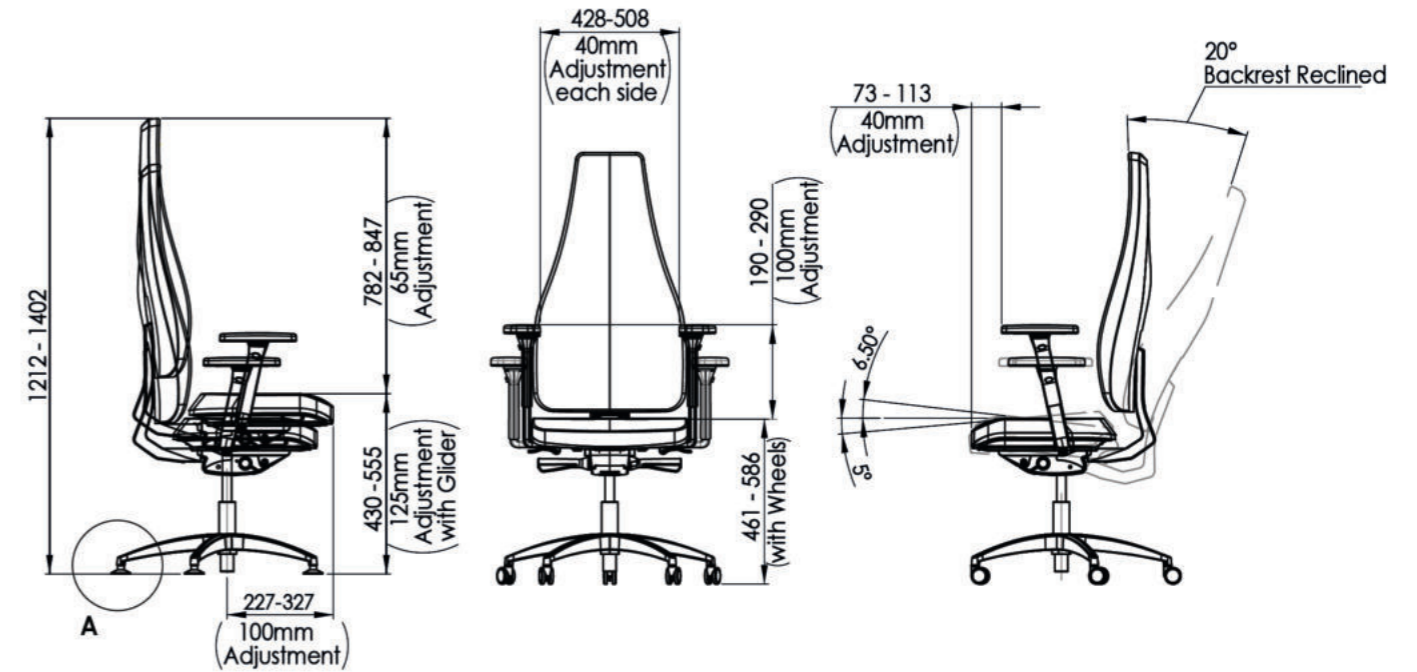
## OP01

### DESIGN AND FEATURES

- Reclining backrest
  - Armrest adjustment forward and backward
  - Armrest adjustment up and down
  - Armrest width adjustment
  - Seat adjustment forward backward
  - Height adjustment
  - Chair rotation
  - Adjustable lumbar support
- A comfortable office chair suitable for 24/7 operations with multiple ergonomic adjustments and design expression as our Alutech and OP series.
  - Available with hardback in high gloss finish



## OP01





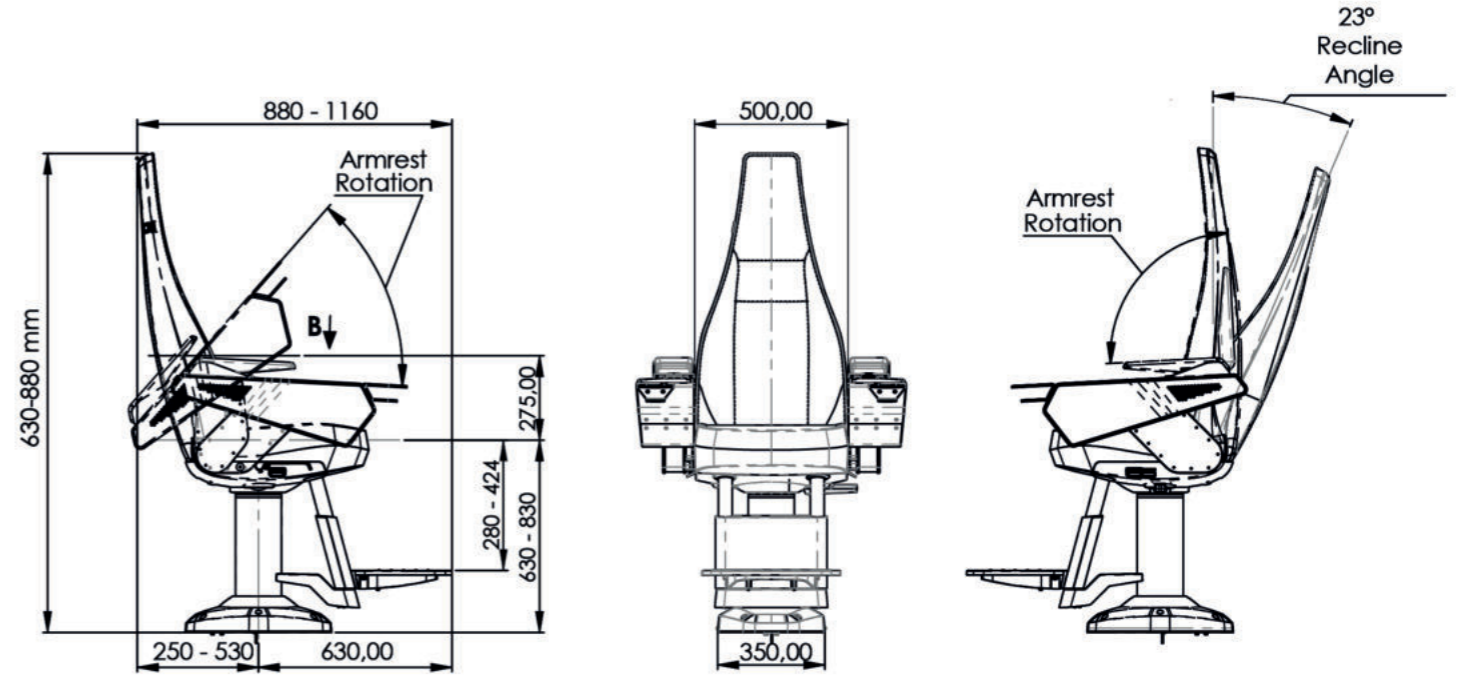
**OPL**

**DESIGN AND FEATURES**

- Reclining seat back
  - Optional armrests sizes
  - Adjustable and flip back armrest tops
  - Armrests suitable for equipment installation
  - Concealed and protected cable management
  - Pneumatic height adjustment
  - Shock absorbing column
  - Optional electric height adjustment
  - Pneumatic height adjustment of footrest
  - Fold up footrest
  - Chair rotation
  - Footrest rotates with chair and is supported by the column for stability
- Operator chair suitable for i.e. ROV and crane operations
  - HSC 2000 - Annex 10 approved



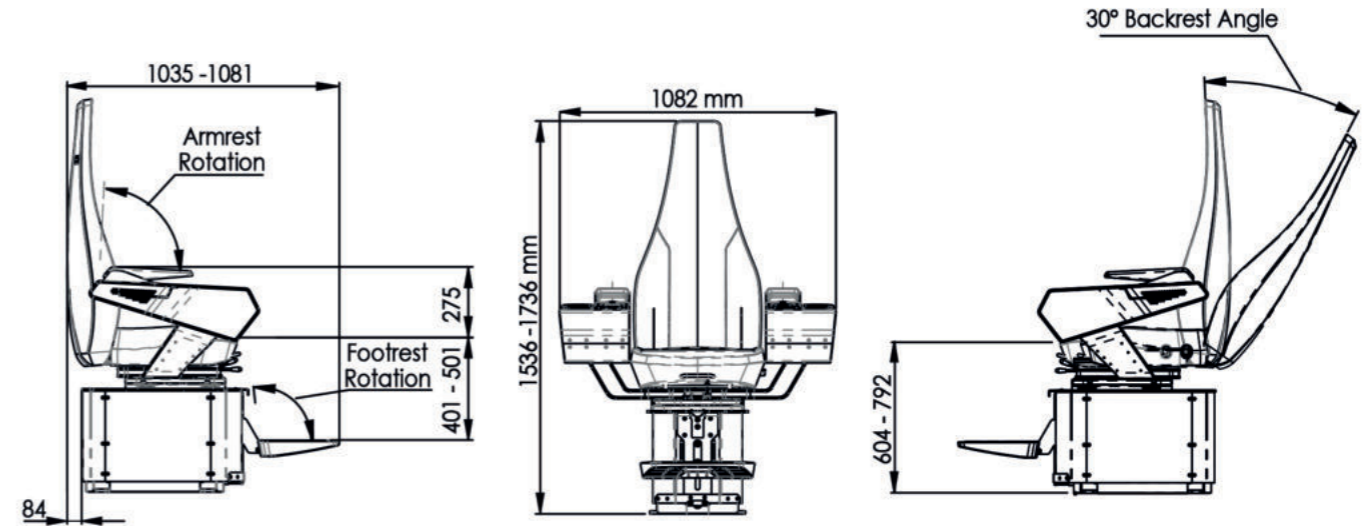
**OPL**



Operator chair	Sitting height	Max width	Chair weight	Footrest
OPL 620	420 - 490mm	880mm	50 kg	
OPL 625	550 - 750mm	880mm	56 kg	x
OPL 630	630 - 880mm	880mm	57 kg	x
OPL 640	730 - 980mm	880mm	59 kg	x
OPL 650	830 - 1030mm	880mm	60 kg	x

**DESIGN AND FEATURES**

- Reclining backrest
  - Electric height adjustment
  - Optional armrests sizes
  - Adjustable and flip back armrest top
  - Armrests suitable for equipment installation
  - Fold up and height adjustable footrest
  - Concealed and protected cable management
- OP chair is an "all in" chair suitable for DP, ROV, crane or other demanding operations.
  - Suitable either as "stand alone" units or installed on electric operated deck rails with cable management



Operator chair	Sitting height	Max width	Chair weight	Footrest	HSC
OP 50	600 - 800mm	1082mm	118 kg	x	

Different armrest sizes available  
24V/20 Amp.

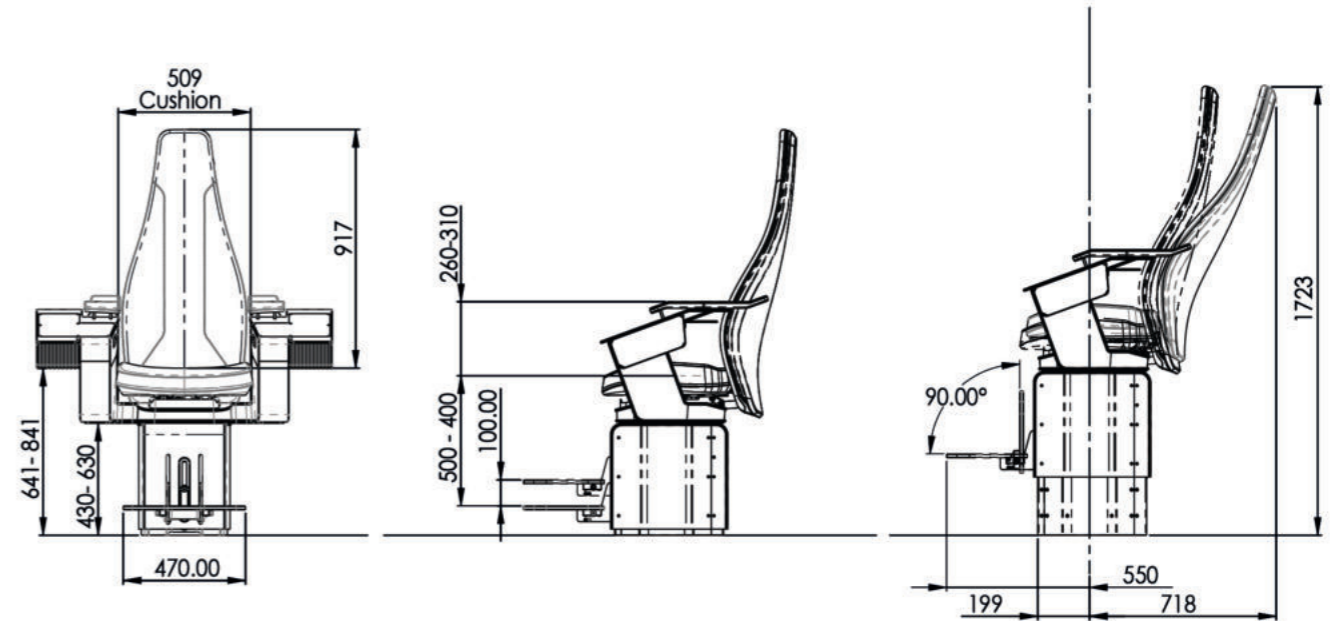
**S12**

**DESIGN AND FEATURES**

- Electric relining backrest
  - Electric height adjustment
  - Optional 6-way electric seat cushion
  - Optional electric rotation
  - Selection of 3 armrests sizes
  - Armrests suitable for equipment installation
  - Concealed and protected cable management
  - Electric height adjustment of footrest
  - Fold up footrest
  - Concealed and protected cable management
- Suitable either as "stand alone" units or installed on electric operated deck rails with cable management.



**S12**



Operator chair	Sitting height	Max width	Chair weight	Footrest	HSC
S 12	615 - 815mm	1082mm	118 kg	x	

Different armrest sizes available  
24V/20 Amp.

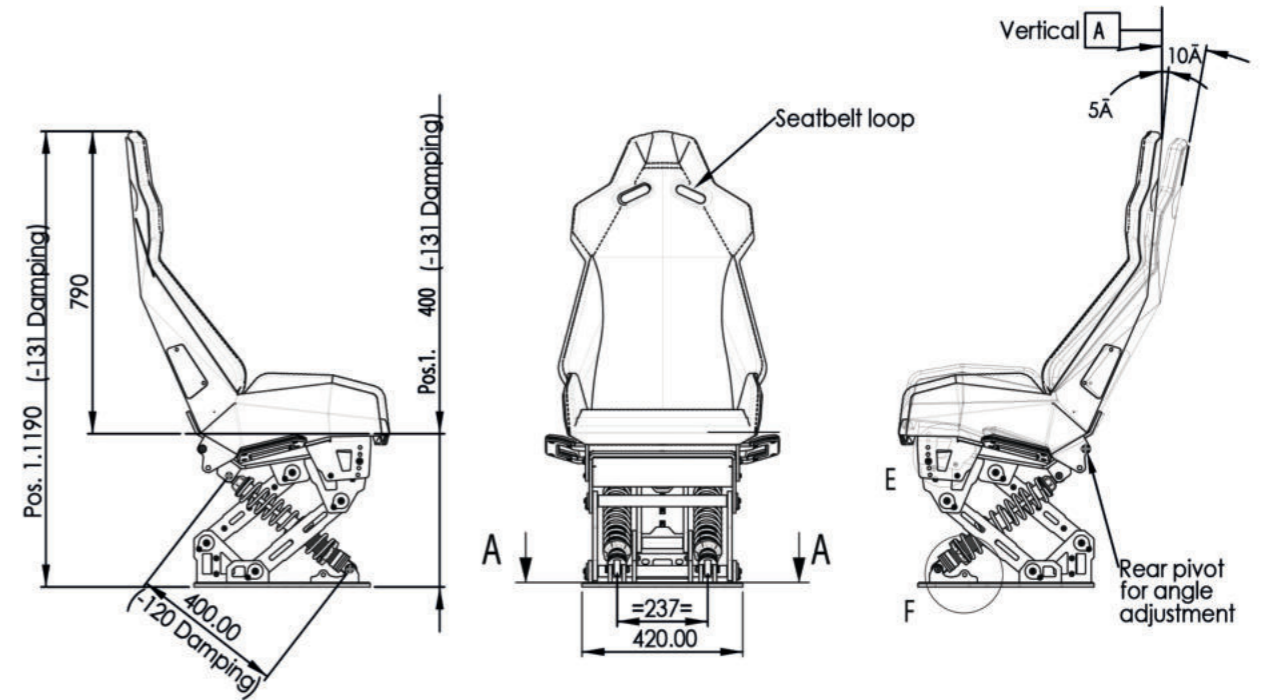
## 3000 FC

### DESIGN AND FEATURES

- Seat constructed from 100% carbon
  - Leather upholstery as standard
  - Grip handles on both sides
  - 4-point safety belt included
  - Optional with armrest
  - Optional with armrest attachments for control equipment
  - Optional mounting base with custom made height
- Suitable for Navy, Coast Guard and other vessels operating high speed in all weather conditions.
- The seat is designed for maximum protection and gives adequate support for safe and smooth travel.
- HSC 2000 - Annex10 approved



## 3000 FC



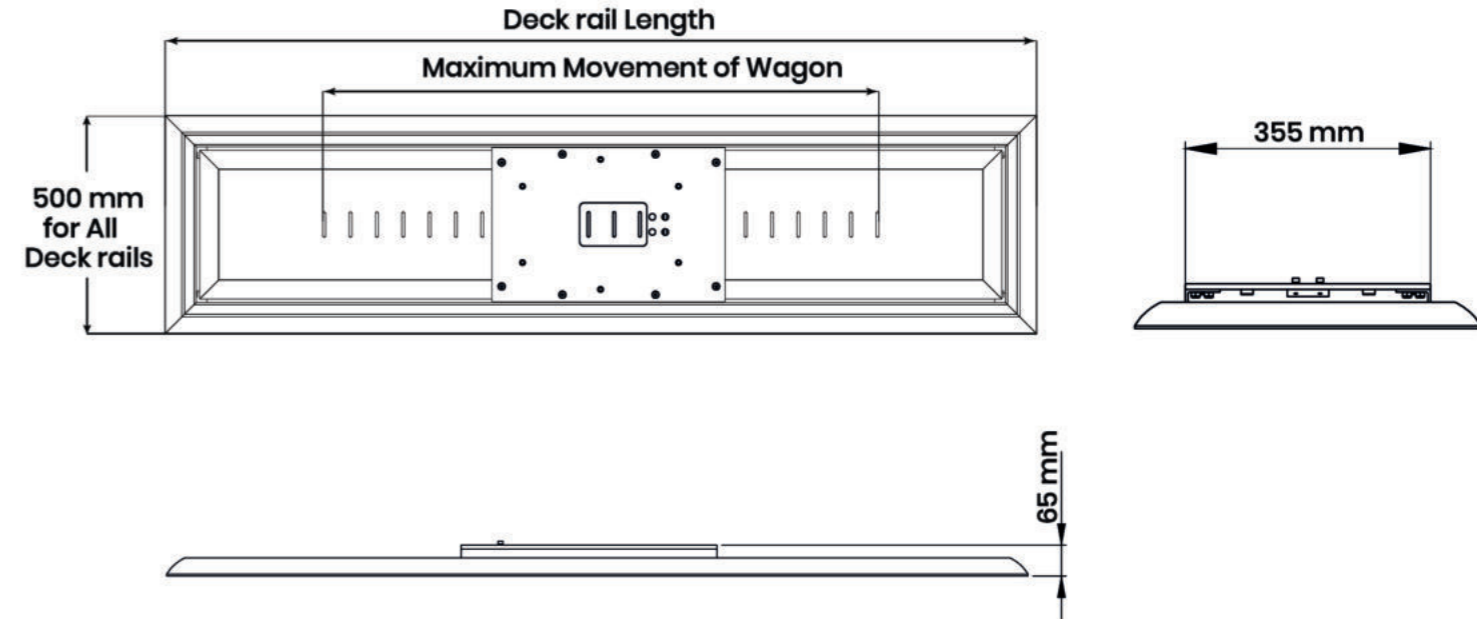
## SURFACE MOUNT DECK RAILS

### DESIGN AND FEATURES

- Simple to install
- Low weight
- Alutech 3200 and 3400 utilises a low friction stainless steel ball-bearing rail system that enables easy movement
- Alutech 3200 and 3400 braking system is controlled from the chair and easily locks the wagon in place
- Available in 4 different lengths, or made-to-fit, these deck rail series are surface mounted and designed for use with any of the Alutech 200, 300, 400, 500 or 600 chair types. Available in required lengths.
- HSC 2000 - Annex 10 approved



## SURFACE MOUNT DECK RAILS



Deck rail for 200 to 600 Chair Series	Deck rail Length	Maximum Deck rail Height (With / Without wagon)	Maximum Movement of Wagon	Deck rail Weight	HSC Code
Alutech 3200 / 3400	1500 mm	65 mm / 38 mm	815 mm	27 kg	12 g
Alutech 3205 / 3405	2000 mm	65 mm / 38 mm	1315 mm	33.5 kg	12 g
Alutech 3210 / 3410	2500 mm	65 mm / 38 mm	1815 mm	40 kg	12 g
Alutech 3215 / 3415	3000 mm	65 mm / 38 mm	2315 mm	47 kg	12 g
Alutech 32XX / 34XX	on request		TBA	TBA	12 g

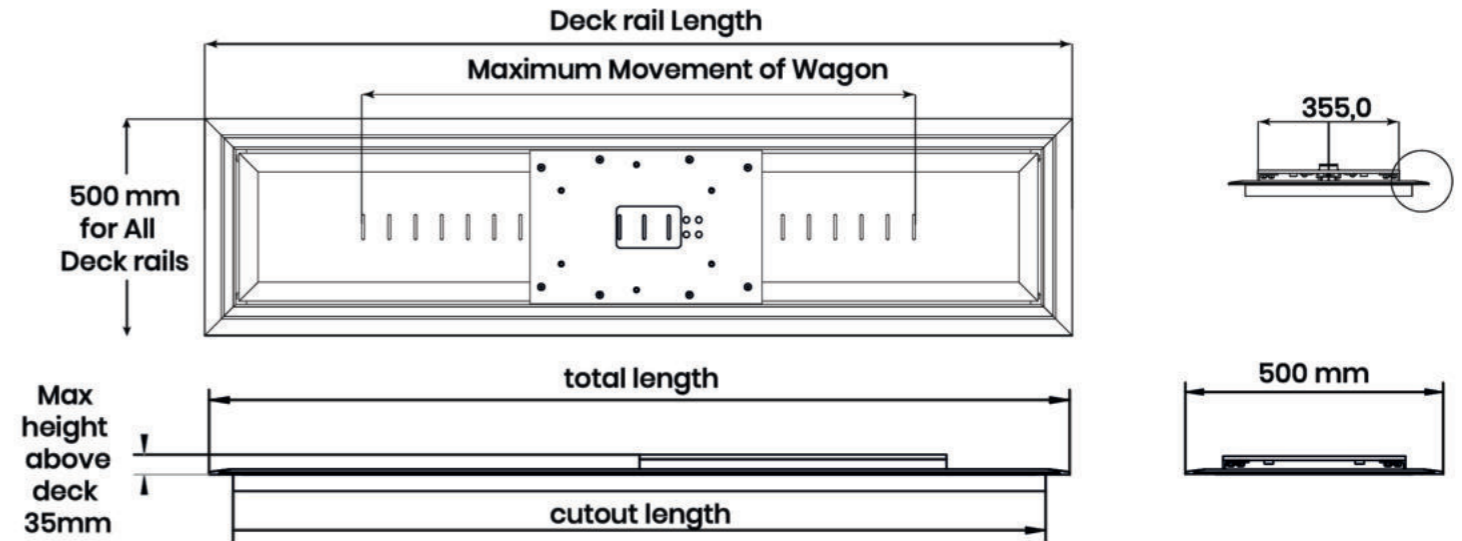
## FLUSH MOUNT DECK RAILS

### DESIGN AND FEATURES

- Simple to install
- Low weight
- Alutech 3300 and 3500 utilises a low friction stainless steel ball-bearing rail system that enables easy movement.
- Alutech 3300 and 3500 braking system is controlled from the chair and easily locks the wagon in place
- Available in 4 different lengths, or made-to-fit, these deck rail series are surface mounted and designed for use with any of the Alutech 200, 300, 400, 500 or 600 chair types. Available in required lengths.
- HSC 2000 - Annex 10 approved



## FLUSH MOUNT DECK RAILS



Deck rail for 200 to 600 Chair Series	Deck rail Length	Maximum Deck rail Height (With / Without wagon)	Maximum Movement	Deck rail Weight	HSC Code
Alutech 3300 / 3500	1500 mm	35 mm / 8 mm	815 mm	27 kg	12 g
Alutech 3305 / 3505	2000 mm	35 mm / 8 mm	1315 mm	33.5 kg	12 g
Alutech 3310 / 3510	2500 mm	35 mm / 8 mm	1815 mm	40 kg	12 g
Alutech 3315 / 3515	3000 mm	35 mm / 8 mm	2315 mm	47 kg	12 g
Alutech 33XX / 35XX	on request	35 mm / 8 mm	TBA	TBA	12 g

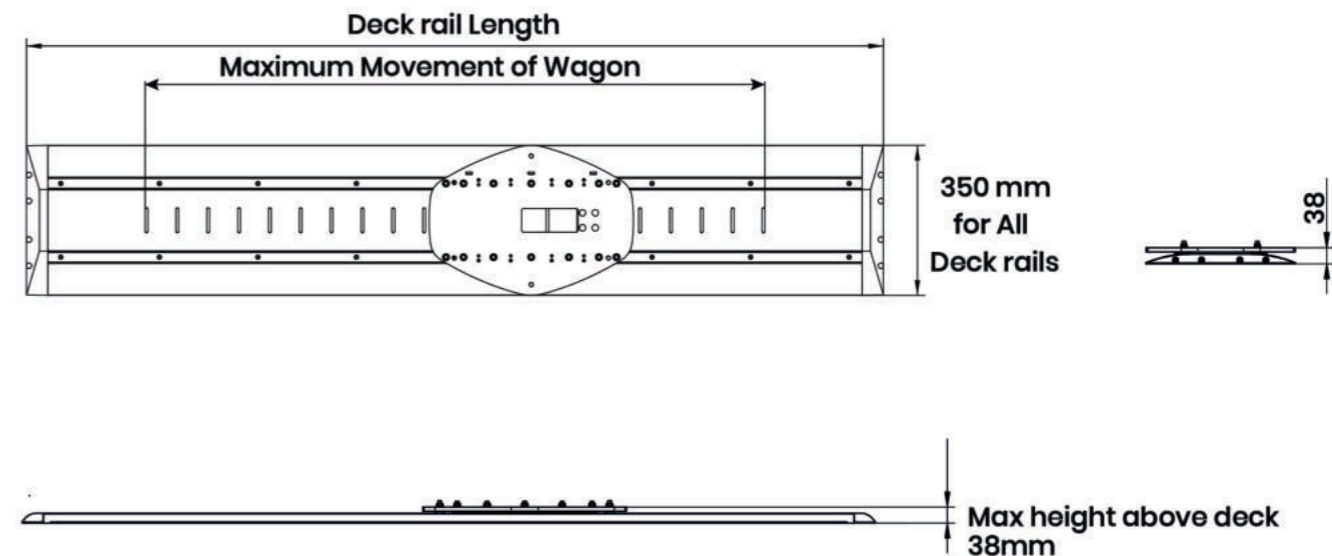
## SURFACE MOUNT DECK RAILS

### DESIGN AND FEATURES

- Simple to install
- Low weight
- Alutech 4000 utilises a low friction stainless steel ball-bearing rail system that enables easy movement.
- Alutech 4000 braking system is controlled from the chair and easily locks the wagon in place
- Available in 4 different lengths as standard, or made-to-fit, these deck rail series are surface mounted and designed for use with any of the Alutech 300, 400, 500 or 600 chair types.



## SURFACE MOUNT DECK RAILS



Deck rail for 300 to 600 Chair Series	Deck rail Length	Maximum Deck rail Height (With / Without wagon)	Maximum Movement of Wagon	Deck rail Weight
Alutech 4000	1000 mm	38 mm / 23 mm	460 mm	18 kg
Alutech 4005	1500 mm	38 mm / 23 mm	960 mm	21.5 kg
Alutech 4010	2000 mm	38 mm / 23 mm	1460 mm	25 kg
Alutech 4015	2500 mm	38 mm / 23 mm	1960 mm	28.5 kg
Alutech 4020	3000mm	38 mm / 23 mm	2460 mm	32 g



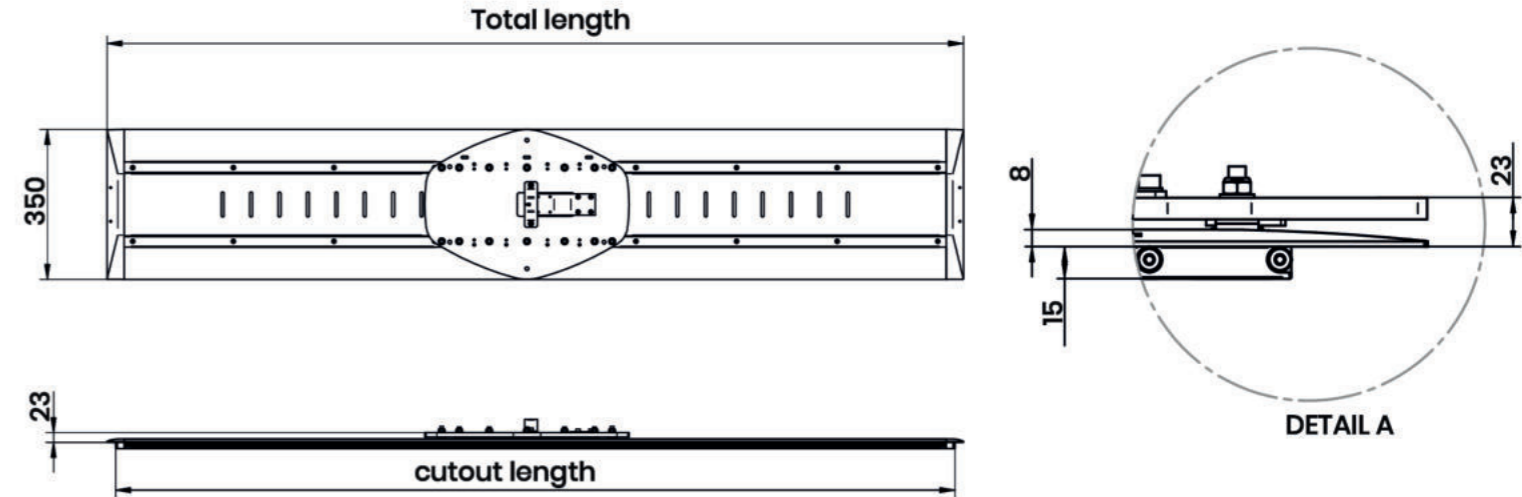
## FLUSH MOUNT DECK RAILS

### DESIGN AND FEATURES

- Simple to install
- Low weight
- Alutech 4100 utilises a low friction stainless steel ball-bearing rail system that enables easy movement.
- Alutech 4100 braking system is controlled from the chair and easily locks the wagon in place.
- Available in 4 different lengths as standard, or made-to-fit, these deck rail series are surface mounted and designed for use with any of the Alutech 300, 400, 500 or 600 chair types.



## FLUSH MOUNT DECK RAILS

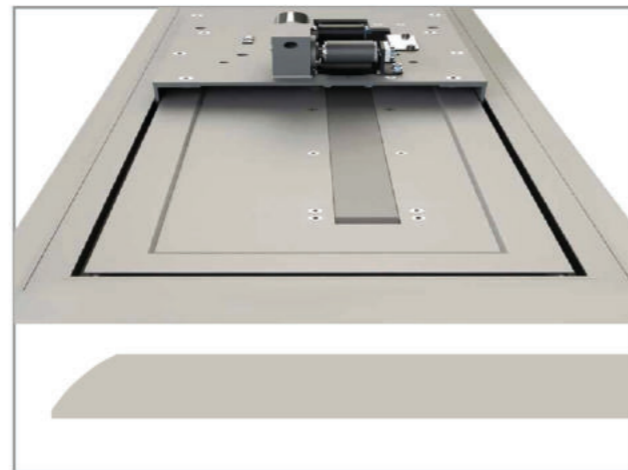


Deck rail for 300 to 600 Chair Series	Deck rail Length	Maximum Deck rail Height (With / Without wagon)	Maximum Movement of Wagon	Deck rail Weight
Alutech 4100	1000 mm	23 mm / 8 mm	460 mm	18 kg
Alutech 4105	1500 mm	23 mm / 8 mm	960 mm	21.5 kg
Alutech 4110	2000 mm	23 mm / 8 mm	1460 mm	25 kg
Alutech 4115	2500 mm	23 mm / 8 mm	1960 mm	28.5 kg
Alutech 4120	3000 mm	23 mm / 8 mm	2460 mm	32 kg

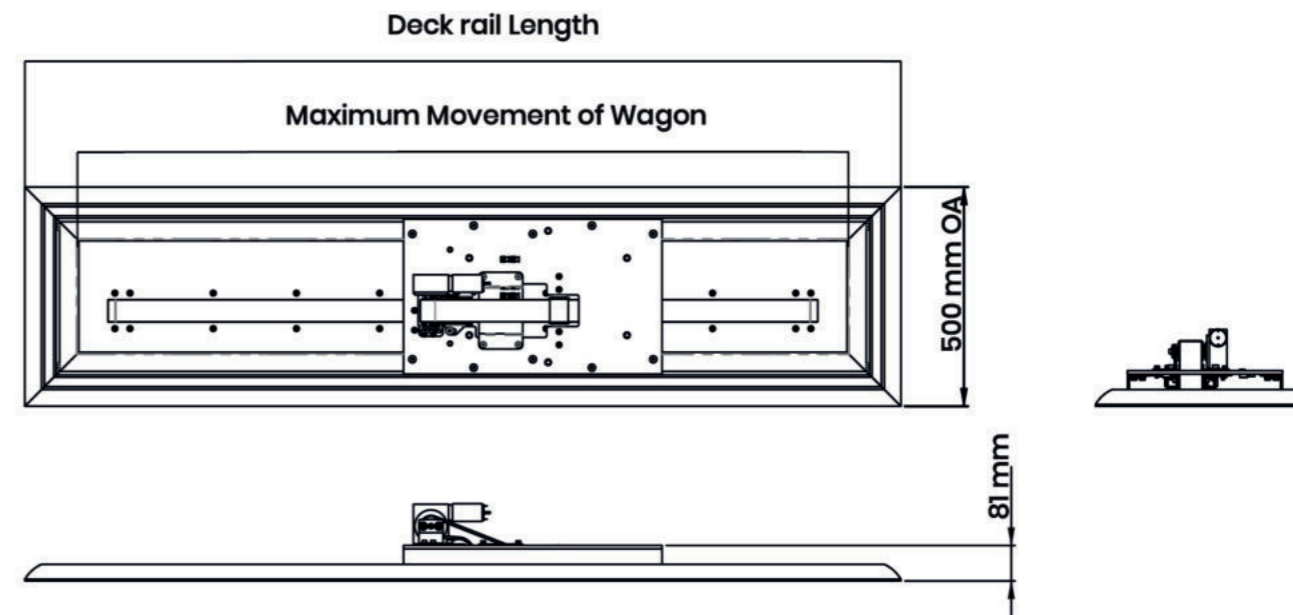
## SURFACE MOUNT ELECTRICAL

### DESIGN AND FEATURES

- Surface mounted
- Simple to install
- Low weight
- Note that this deck rail does not have arrangement for cable routing
- Available in 4 different lengths as standard, or made-to-fit, these deck rail series are surface mounted and designed for use with any of the Alutech 300, 400, 500 or 600 chair types.
- HSC 2000 - Annex 10 approved



## SURFACE MOUNT ELECTRICAL

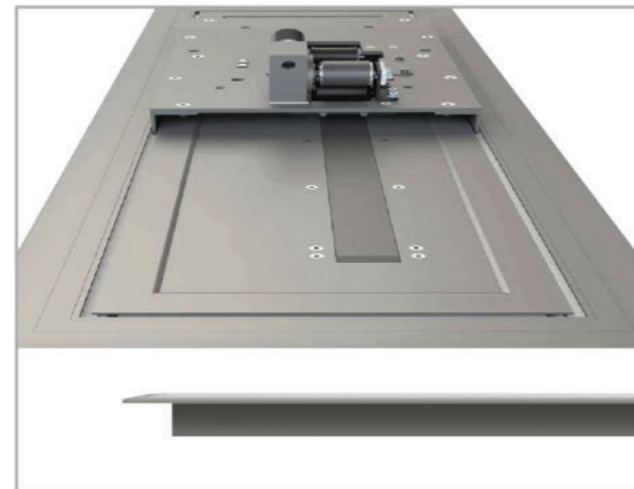


Deck rail for 300 to 600 Chair Series	Deck rail Length	Maximum Deck rail Height (With / Without wagon)	Maximum Movement of Wagon	Electrical Operated Voltage 24 V / 20 AMP (minimum)	Deck rail Weight	HSC Code
Alutech 3900	1500 mm	65 mm / 38 mm	767 mm	Yes	37 kg	12 g
Alutech 3905	2000 mm	65 mm / 38 mm	1267 mm	Yes	43 kg	12 g
Alutech 3910	2500 mm	65 mm / 38 mm	1767 mm	Yes	50 kg	12 g
Alutech 3915	3000 mm	65 mm / 38 mm	2267 mm	Yes	57 kg	12 g

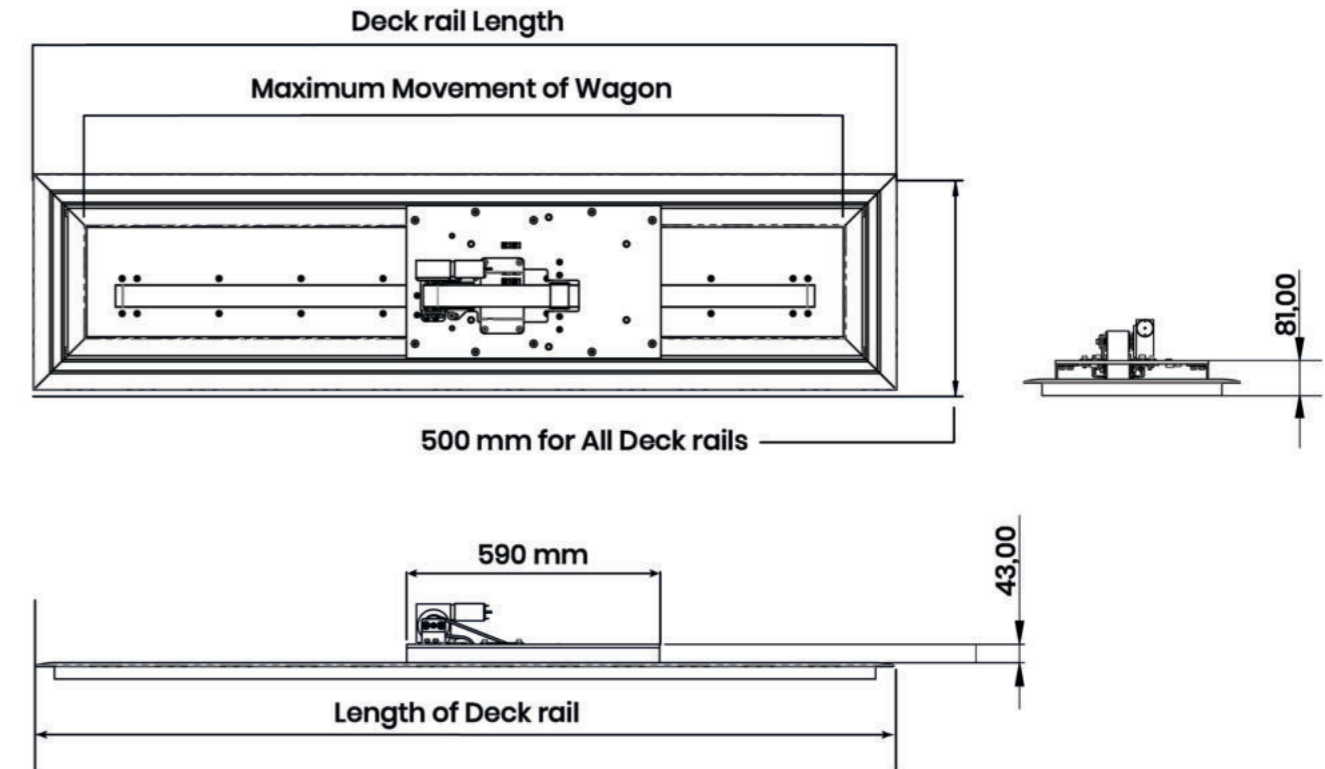
## FLUSH MOUNT ELETRICAL

### DESIGN AND FEATURES

- Flush mounted
- Simple to install
- Low weight
- Note that this deck rail does not have arrangement for cable routing
- Available in 4 different lengths as standard, or made-to-fit, these deck rail series are flush mounted and designed for use with any of the Alutech 300, 400, 500 or 600 chair types
- HSC 2000 - Annex 10 approved



## FLUSH MOUNT ELETRICAL



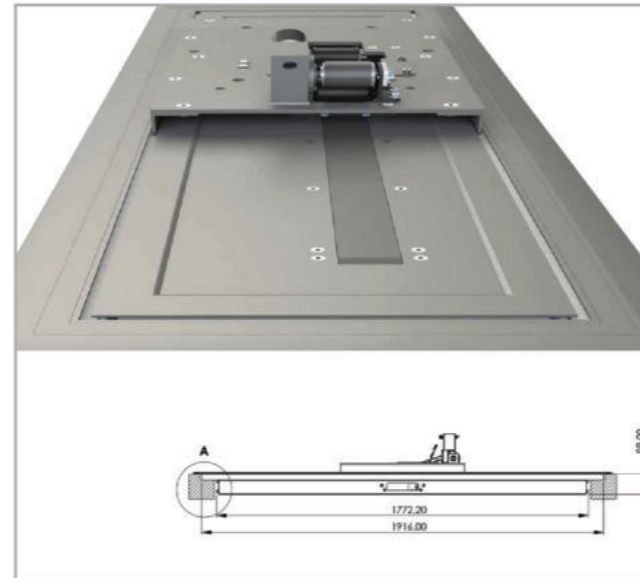
Deck rail for 300 to 600 Chair Series	Deck rail Length	Maximum Deck rail Height (With / Without wagon)	Maximum Movement of Wagon	Electrical Operated Voltage 24 V / 20 AMP (minimum)	Deck rail Weight	HSC Code
Alutech 3950	1500 mm	35 mm / 8 mm	767 mm	Yes	37 kg	12 g
Alutech 3955	2000 mm	35 mm / 8 mm	1267 mm	Yes	43.5 kg	12 g
Alutech 3960	2500 mm	35 mm / 8 mm	1767 mm	Yes	50 kg	12 g
Alutech 3965	3000 mm	35 mm / 8 mm	2267 mm	Yes	57 kg	12 g



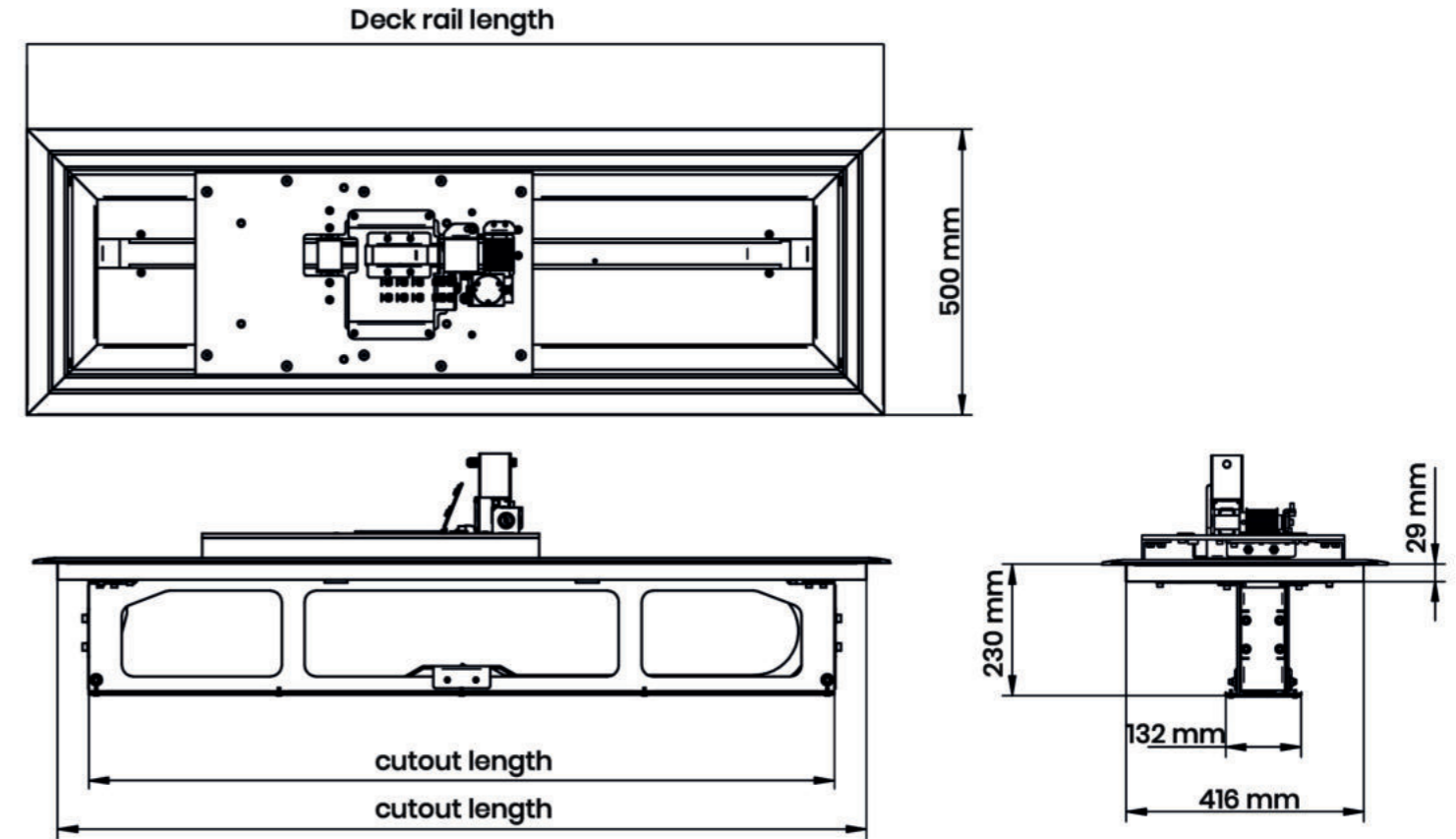
## FLUSH MOUNT ELETRICAL

### DESIGN AND FEATURES

- Electrically driven movement
  - Push button control
  - Cable routing from the chair to flexible cable tray in the deck rail for optimal protection of cables
  - Low friction stainless steel rail system for easy and reliable movement of the chair and operator
  - Chair stops automatically if it encounters an obstacle
- This electrical operated deck rail is flush mounted and suitable in connection with Alutech 300, 400, 500, 600 and OPL series.

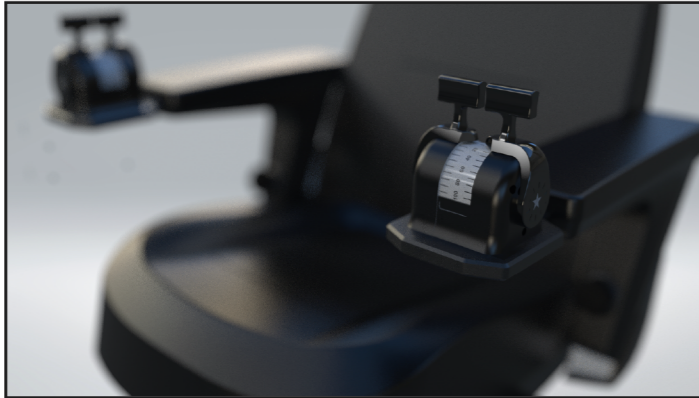


## FLUSH MOUNT ELETRICAL



Deck rail	Deck rail Length	Maximum Deck rail Height (With / Without wagon)	Maximum Movement of Wagon	Electric Operated Voltage 24 V / 20 AMP (minimum)	Deck rail Weight
Alutech 3800	1500 mm	65 mm / 38 mm	767 mm	Yes	40 kg
Alutech 3805	2000 mm	65 mm / 38 mm	1267 mm	Yes	48 kg
Alutech 3810	2500 mm	65 mm / 38 mm	1767 mm	Yes	57 kg
Alutech 3815	3000 mm	65 mm / 38 mm	2267 mm	Yes	65 kg

## ACCESSORIES



## ACCESSORIES

We understand that not all seating requirements are exactly the same. Therefore our accessories include, but are not limited to, cup holders, joystick holders, safety belts, flip-out tables, custom branding, intercoms with integrated foot pedals, custom built consoles, variety of seat covers, etc.





## DESIGNED FOR TOMORROW – PERFECT FOR TODAY



When we develop a new high-tech operator and pilot chair we do it to meet the future – the best chair for any crucial job.

Paramount Pictures, the producers of the blockbusters Transformers and Star Trek movies, were looking for furniture with breath-taking, futuristic designs to help bring their stories to life. And the MH OCH 300 caught their eye as the perfect Sci-Fi object.

Our very own OP series, featured in the hit Hollywood movie "Hitman's Wife's Bodyguard" starring Salma Hayek, Ryan Reynolds, Samuel L. Jackson, Antonio and Morgan Freeman.

ALU jumped at the opportunity of imprinting the big screen with cutting-edge design. Onboard the super-yacht, amongst the most intense scenes, the OP chair adds composure and class.

You cannot miss the OP series chairs' futuristic play.



# BESPOKE SOLUTIONS

Not all seating requirements are exactly the same; hence Alu Design offers a wide variety of custom built products. We pride ourselves in working closely with our clients to produce unique and innovative design solutions that can fulfill the most complex of user needs.



NORWEGIAN  
ELECTRIC SYSTEM AS

"RAVEN INS"



OCEANEERING

"COMMANDER"



KONSBERG MARITIME

"K-MASTER"

Alongside its high-tech operator and pilot chairs for the marine and offshore industry, Alu Design also creates advanced seats for simulators for training purposes.



VARD GROUP AS

"SeaQ"



KONSBERG MARITIME

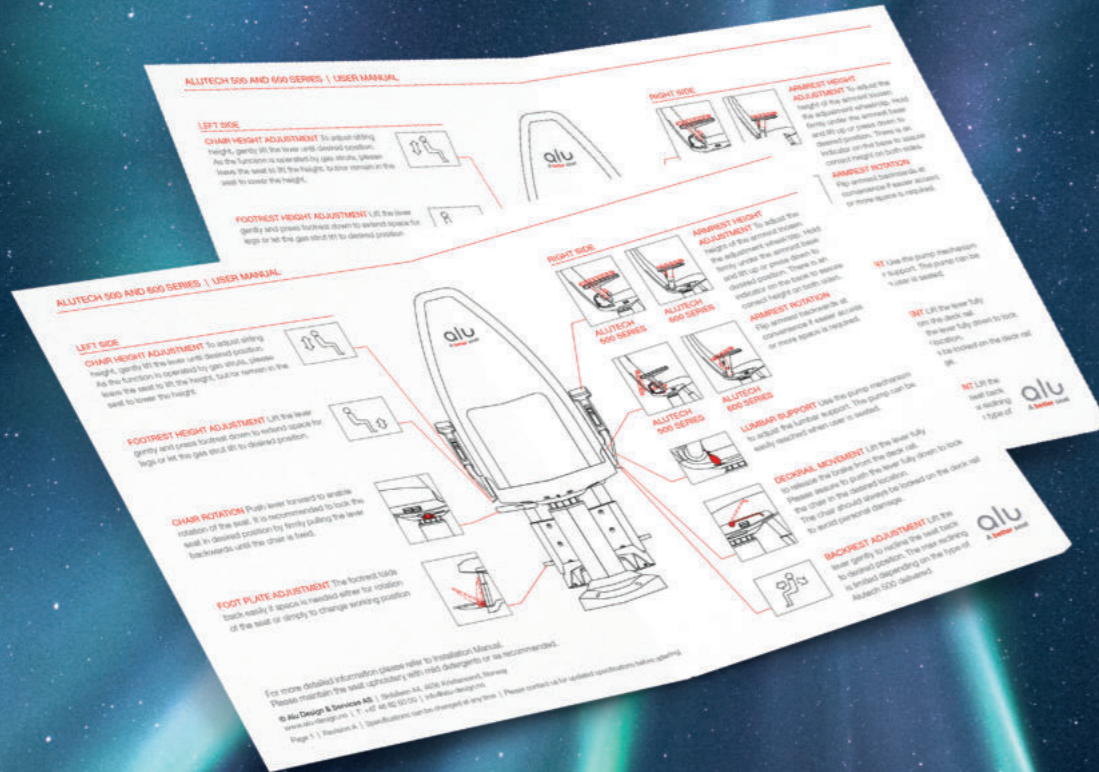
"UNIFIED BRIDGE"



MH WIRTH

"MH OC 300"

# USING THE CHAIR



## Installing and using

Each chair is delivered with an installation and a user manual to assure correct installation and use of the product. It is important that the instructions are followed for both the comfort and safety of the user.

## Installation Manuals

For detailed descriptions on how to install our chairs and deck rails, please visit our website at [alu-design.no](http://alu-design.no)

# ABOUT

## GENERAL CONTACT



[info@alu-design.no](mailto:info@alu-design.no)  
[alu-design.no](http://alu-design.no)



## AGENTS



Our company is represented around the world by professionals. Please see contact details on our web for more information.

## REFERENCES



Our products are found onboard all types of marine vessels worldwide. Check the long list of references on our website!

## TRUSTED TO PERFORM

Alu Design is a recognized leader in the global marketplace, providing high specification and quality products to all segments of the dynamic maritime industry. We cater for the needs of individual yards and owners, satisfying individual demands with a uniform commitment to design, manufacturing and long-term performance standards.



**alu**  
Be seated.



S. E. & O.

BECAUSE OF CONTINUED PRODUCT IMPROVEMENT, WE RESERVE THE RIGHT TO MAKE CHANGES. SPECIFICATION CAN BE CHANGED AT ANY TIME.  
PLEASE CONTACT US FOR UPDATED SPECIFICATIONS BEFORE ORDERING.